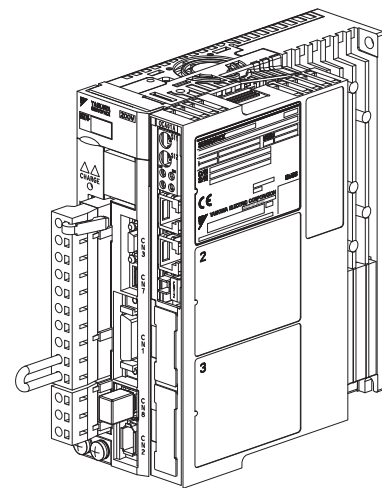


AC SERVOPACK
 Σ-V Series/
 Σ-V Series for Large-Capacity Models/
 Σ-7 Series
 Installation Guide
 Command Option Module
 Command Option Module Model: SGDV-OC□□□□



MANUAL NO. TOBP C720829 01C

APPLICABLE SERVOPACKs

Σ-V Series, Large-Capacity Σ-V Series or Σ-7 Series Σ-7S Models

ITEMS REQUIRED FOR INSTALLATION

Package Contents

A-Board*
 B-Mounting screws for board (2)
 C-Nameplate (Ratings)
 D-Nameplate (Model no.)
 E-Nameplate (Component code)

* : This board is an example and may differ from the received product.

Details of nameplates shown may differ from the received product. Refer to the user's manual to confirm correct details.

Additional Items (not included)

Option Case Kit* (Model: SGDV-OZA01A)
 G-Mounting screws for plate (2)
 F-Mounting plate
 H-Module cover
 I-SERVOPACK
 J-Phillips screwdriver
 K-Screwdriver

* : For large-capacity Σ-V SERVOPACKs, a kit is attached to the SERVOPACK.

INSTALLATION CONDITIONS

- Install the module in the following environment.
- Cover the working area with a conductive or antistatic mat.
 - This mat must be safely grounded with a resistor (1 MΩ±20%).
 - The surrounding air temperature must be between 0 and 55 °C.
 - Ambient humidity must be 90% RH or less (with no condensation).
 - No extreme changes in temperature that can cause condensation
 - Free from corrosive or flammable gases
 - Free from dust, salts, or iron dust
 - Not subject to water, oil, or chemicals
 - No vibration and/or shock directly transmitted to the product

SAFETY PRECAUTIONS

Before starting

CAUTION

- Always wear an antistatic wrist strap that is safely grounded.
- Touch a safely grounded object to discharge any static electricity from your body.

Installation

CAUTION

- Install in the specified environment. Failure to observe this caution may result in malfunction.
- Disconnect all cables from the SERVOPACK before installing the board. Failure to observe this caution may result in malfunction.
- Do not apply any impact to the board. Failure to observe this caution may result in malfunction.
- Protect the board from moisture. Failure to observe this caution may result in malfunction.
- Do not touch the connector or electronic components on the board. Hold the board along its edges when installing. Failure to observe this caution may result in malfunction.
- Do not place any object on the board. Failure to observe this caution may result in malfunction.
- Avoid direct contact with any object that has not had antistatic treatment. Failure to observe this caution may result in malfunction.
- Make sure that your clothing is not in contact with the board. Failure to observe this caution may result in malfunction.
- Do not tighten the screws with excessive torque. The recommended tightening torque is 0.49 N·m ±10%. Tightening screws with excessive torque may damage screw threads and the spacer, resulting in deformation of the board.

INSTALLATION PROCEDURE

For large-capacity Σ-V SERVOPACKs, remove the module cover from the SERVOPACK and start with step 3.

Preparing the SERVOPACK

1. Fit the mounting plate (F) into the recess on the SERVOPACK, and fix the plate with the mounting screws (G). (Tightening torque: 0.49 N·m)
2. Remove the connector cover from the SERVOPACK.

Installing the Board

3. Hold both ends of the board (A) as shown in the illustration, and firmly insert the board connector into the connector port on the SERVOPACK.
4. Fix the board on the SERVOPACK with three screws. (Tightening torque: 0.49 N·m)

Mounting the Module Cover

7. Align the front end of the module cover (H) with the front panel of the SERVOPACK as shown in the illustration, and place the module cover so that you can view the installed board from the opening (where the front cover is removed) on the module cover.
8. Fix the module cover to the SERVOPACK by pushing in the retention clips on the left and right side of the module cover, while directing their angled end protrusions to enter the SERVOPACK.

After Installing

Conduct a trial operation after the command option module has been properly installed on the SERVOPACK. For trial operation details, refer to the manual for SERVOPACK being used.

If You Need to Send Us the Option Module for Service

Always leave the option module attached to the SERVOPACK when sending the option module to YASKAWA for service.

AC SERVOPACK
 Σ-V Series/
 Σ-V Series for Large-Capacity Models/
 Σ-7 Series
 Installation Guide
 Command Option Module

- IRUMA BUSINESS CENTER (SOLUTION CENTER)**
 480, Kamijisawawa, Inuma, Saitama, 358-8555, Japan
 Phone: +81-4-2962-5151 Fax: +81-4-2962-6138
 www.yaskawa.co.jp
- YASKAWA AMERICA, INC.**
 2121, Norman Drive South, Waukegan, IL 60085, U.S.A.
 Phone: +1-800-YASKAWA (927-5262) or +1-847-887-7000 Fax: +1-847-887-7310
 www.yaskawa.com
- YASKAWA ELÉTRICO DO BRASIL, LTDA.**
 777, Avenida Piquetinho, Diadema, São Paulo, 09165-000, Brazil
 Phone: +55-11-3585-1100 Fax: +55-11-3585-1187
 www.yaskawa.com.br
- YASKAWA EUROPE GmbH**
 Hauptstraße 145, 63769 Eschborn, Germany
 Phone: +49-6196-569-300 Fax: +49-6196-569-398
 www.yaskawa.eu.com E-mail: info@yaskawa.eu.com
- YASKAWA ELECTRIC KOREA CORPORATION**
 35F, Three IFC, 10 Gukjegeumyung-ro, Yeongdeungpo-gu, Seoul, 07266, Korea
 Phone: +82-2-784-7844 Fax: +82-2-784-8495
 www.yaskawa.co.kr
- YASKAWA ASIA PACIFIC PTE. LTD.**
 30A, Kallang Place, #06-01, 339213, Singapore
 Phone: +65-6262-3003 Fax: +65-6262-3003
 www.yaskawa.com.sg
- YASKAWA ELECTRIC (THAILAND) CO., LTD.**
 56, 1F-5F, Flourish Building, Soi Ratchadapisek 18, Ratchadapisek Road, Huaykwang, Bangkok, 10310, Thailand
 Phone: +66-2-017-0099 Fax: +66-2-017-0799
 www.yaskawa.co.th
- YASKAWA ELECTRIC (CHINA) CO., LTD.**
 22F, Link Square 1, No.222, Hubin Road, Shanghai, 200021, China
 Phone: +86-21-5385-2200 Fax: +86-21-5385-3299
 www.yaskawa.com.cn
- YASKAWA ELECTRIC (CHINA) CO., LTD. BEIJING OFFICE**
 Room 1011, Tower W3 Oriental Plaza, No.1, East Cheng An Avenue, Dong Cheng District, Beijing, 100738, China
 Phone: +86-10-8519-4036 Fax: +86-10-8519-4082
- YASKAWA ELECTRIC TAIWAN CORPORATION**
 12F, No. 207, Section 3, Beishin Road, Shindian District, New Taipei City 23143, Taiwan
 Phone: +886-2-8913-1333 Fax: +886-2-8913-1513 or +886-2-8913-1519
 www.yaskawa.com.tw

General Precautions

- The drawings presented in this instructions are sometimes shown without covers or protective guards. Always replace the equipment's cover or protective guard as specified first, and then operate the products in accordance with the user's manual.
- The drawings presented in this instructions are typical examples and may not match the product you received.
- These instructions are subject to change due to product improvement, specification modification, and instructions improvement. When these instructions are revised, the instructions code is updated and the new instructions is published as a next edition.
- If the instructions must be ordered due to loss or damage, inform your nearest Yaskawa representative or one of the offices listed on the back of this instructions.
- Yaskawa will not take responsibility for the results of unauthorized modifications of this product. Yaskawa shall not be liable for any damages or troubles resulting from unauthorized modification.

Safety Information

- The following conventions are used to indicate precautions in these instructions.
- Failure to heed these precautions can result in serious or possibly even fatal injury or damage to the products or to related equipment and systems.

WARNING Indicates precautions that, if not heeded, could possibly result in loss of life or serious injury.

CAUTION Indicates precautions that, if not heeded, could result in relatively serious or minor injury, damage to the product, or faulty operation.

In some situations, the precautions indicated could have serious consequences if not heeded.

YASKAWA
 YASKAWA ELECTRIC CORPORATION
 © 2009 YASKAWA ELECTRIC CORPORATION